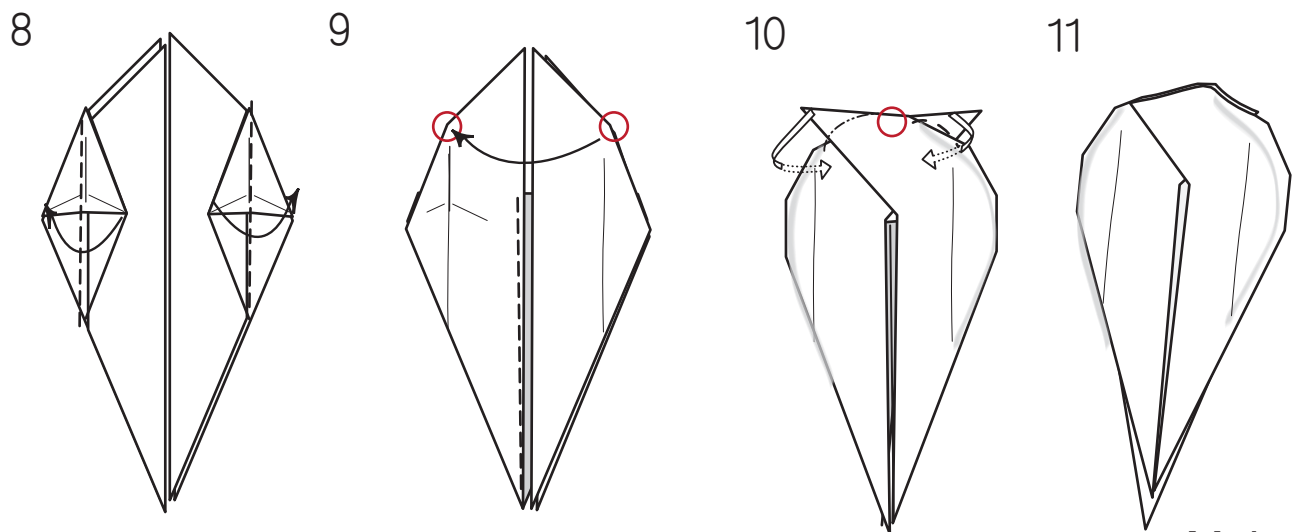
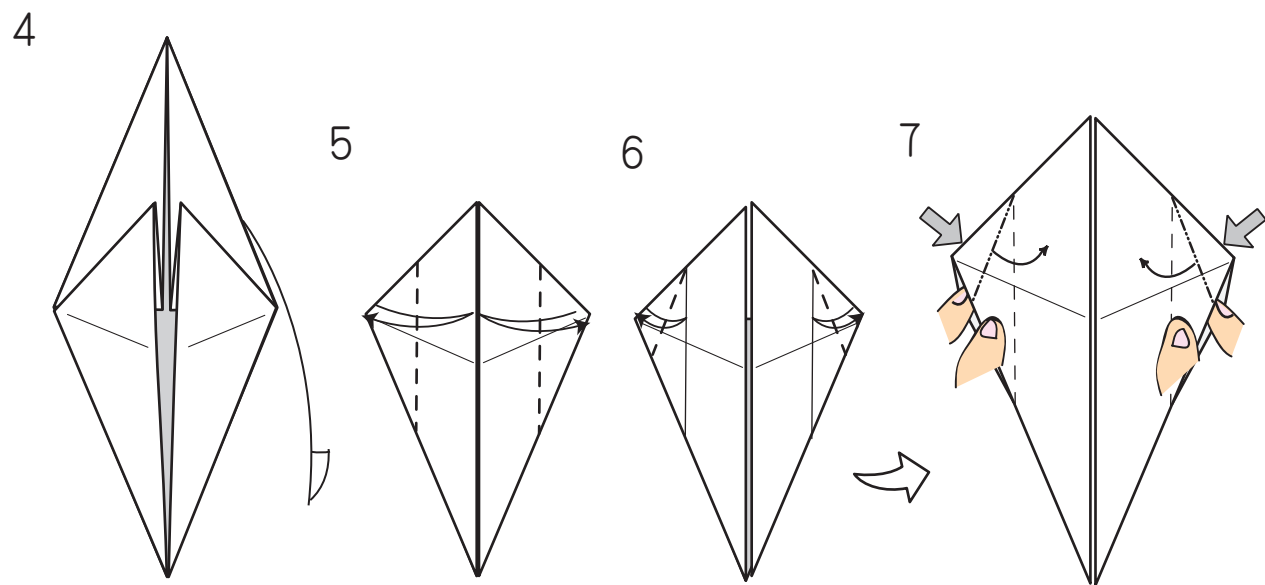
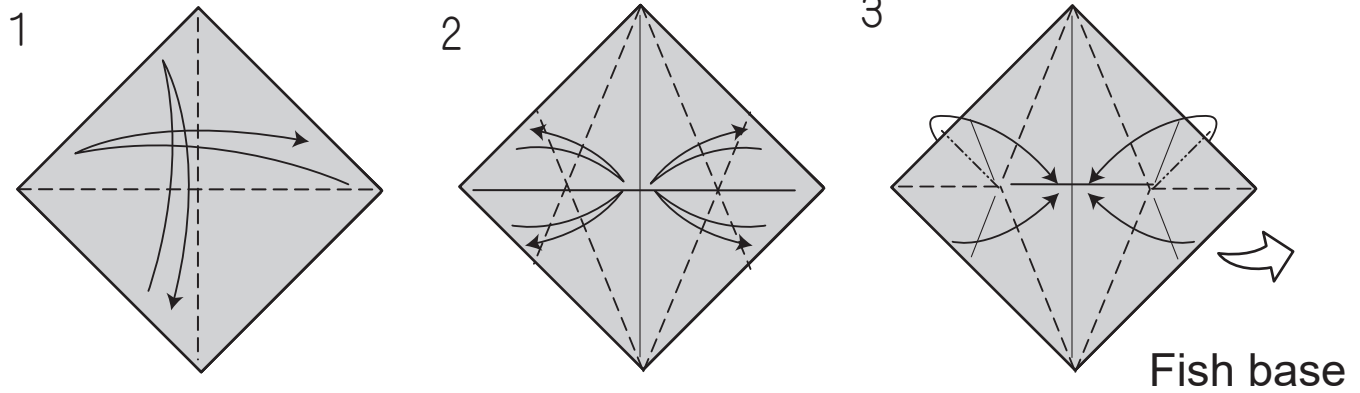


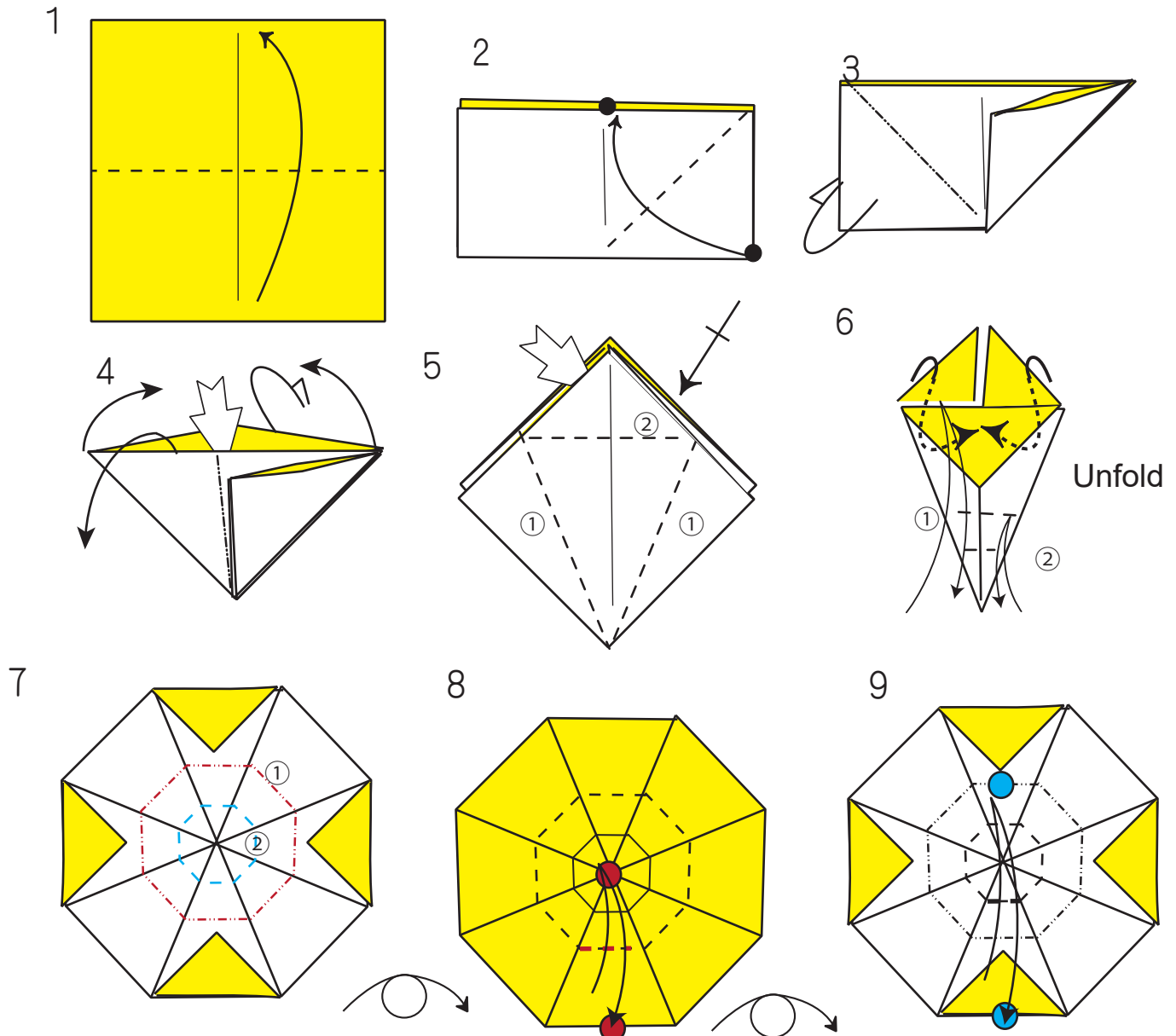
You need 8 white sheets of origami paper and 1 yellow sheet of origami paper.

How to make a petal.



Make 8

How to make the center of the flower

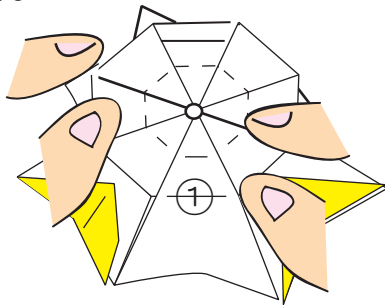


We are going to crease these lines with step 8 and 9.

① Valley fold
● to ● .
Repeat 8.

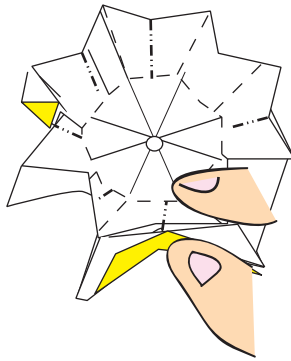
② Valley fold
● to ● .
Repeat 8.

10

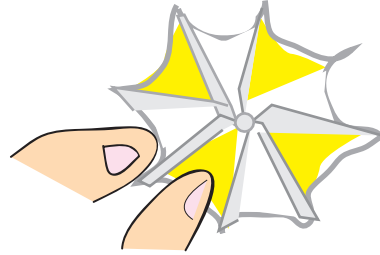


Pinch ①

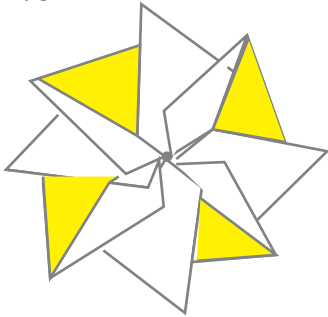
11



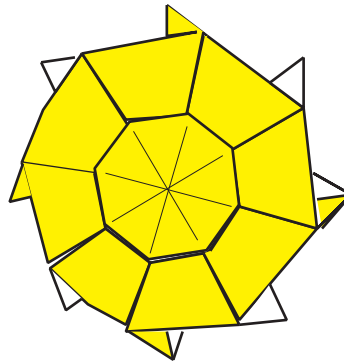
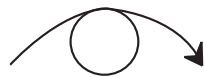
12



13

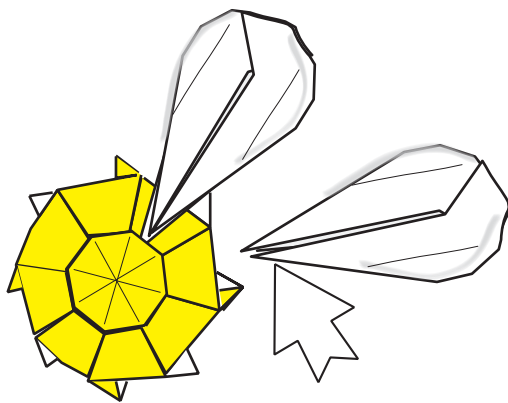


14



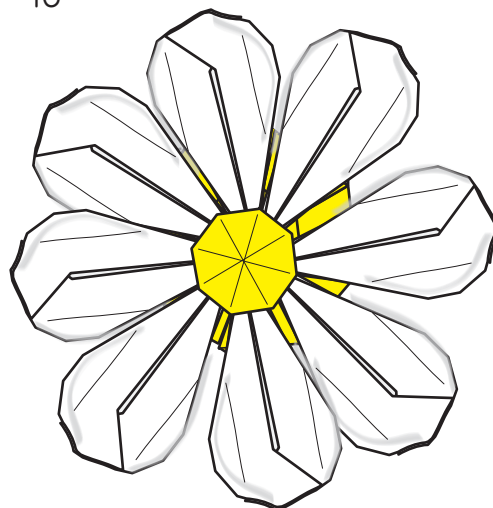
Here is a centre of the flower.

15



Insert a petal into the center of the flower as shown.

16



Well done!

Completed!